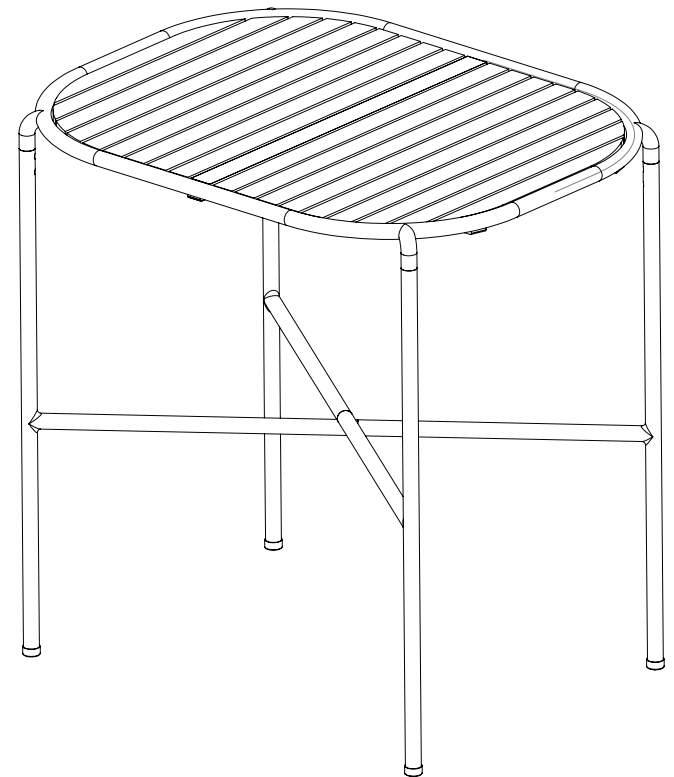
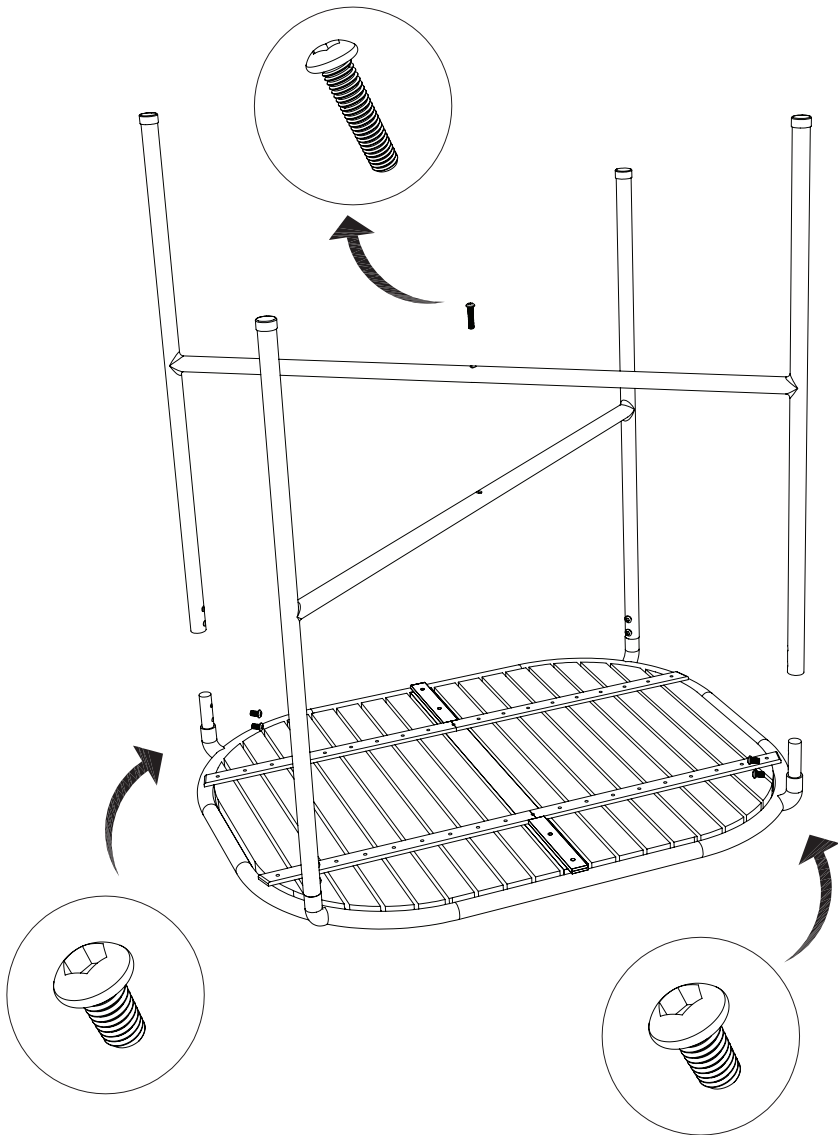
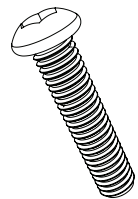
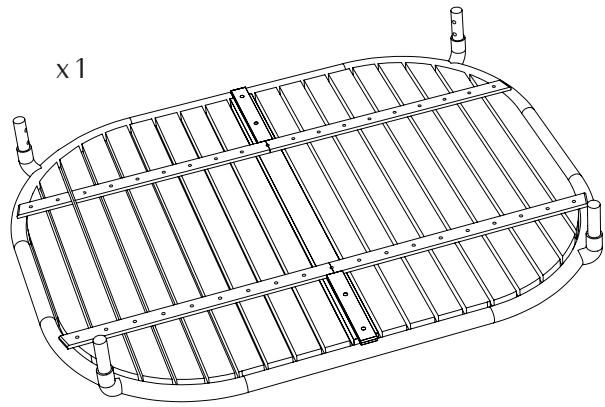


3



H&M HOME

1



x1

x8

2

